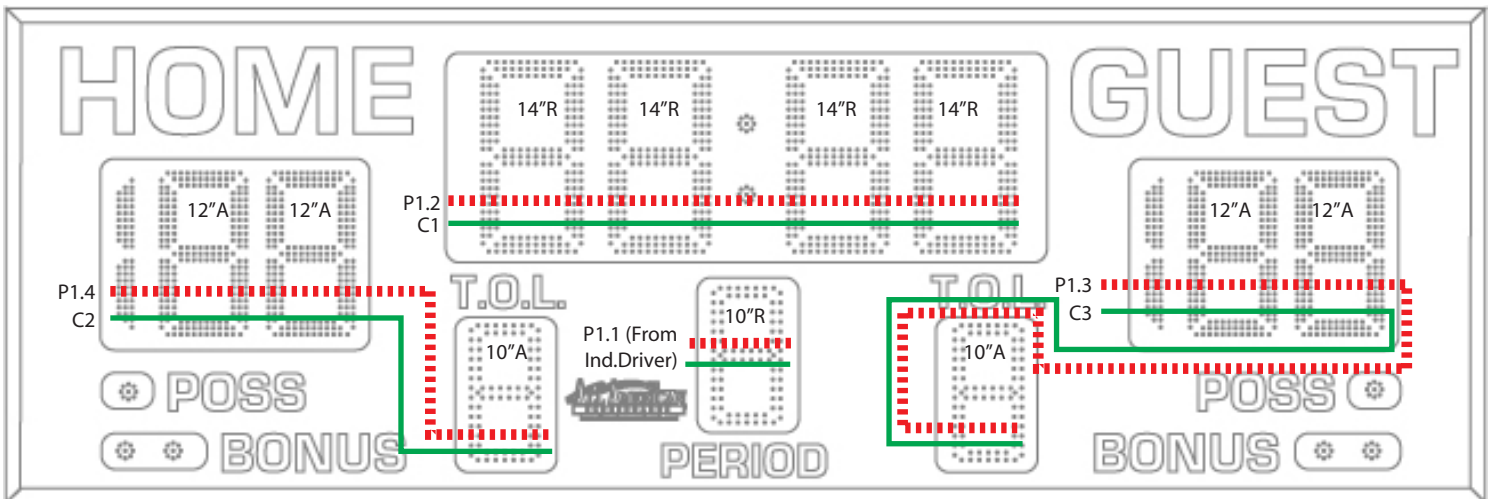


Scoreboard Type: 400

8209 Basketball Controller Plate

CONTROLLER PLATE BEHIND HOME SCORE



Power Supply Outputs (Full Brightness & Full Digits): P1.1 ≈ 1.14A P1.2 ≈ 3.96A P1.3 ≈ 2.76A P1.4 ≈ 2.76A

"C" refers to controller board output. If Indicators are used, C4 data will go to the Indicator Driver Board and then to the digit(s).

— = DATA - - - - - = 10.5VDC POWER

115 VAC / 60 Hz - 3.0 Amps